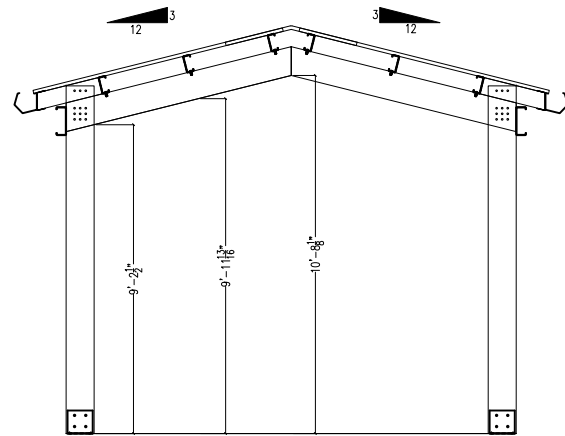
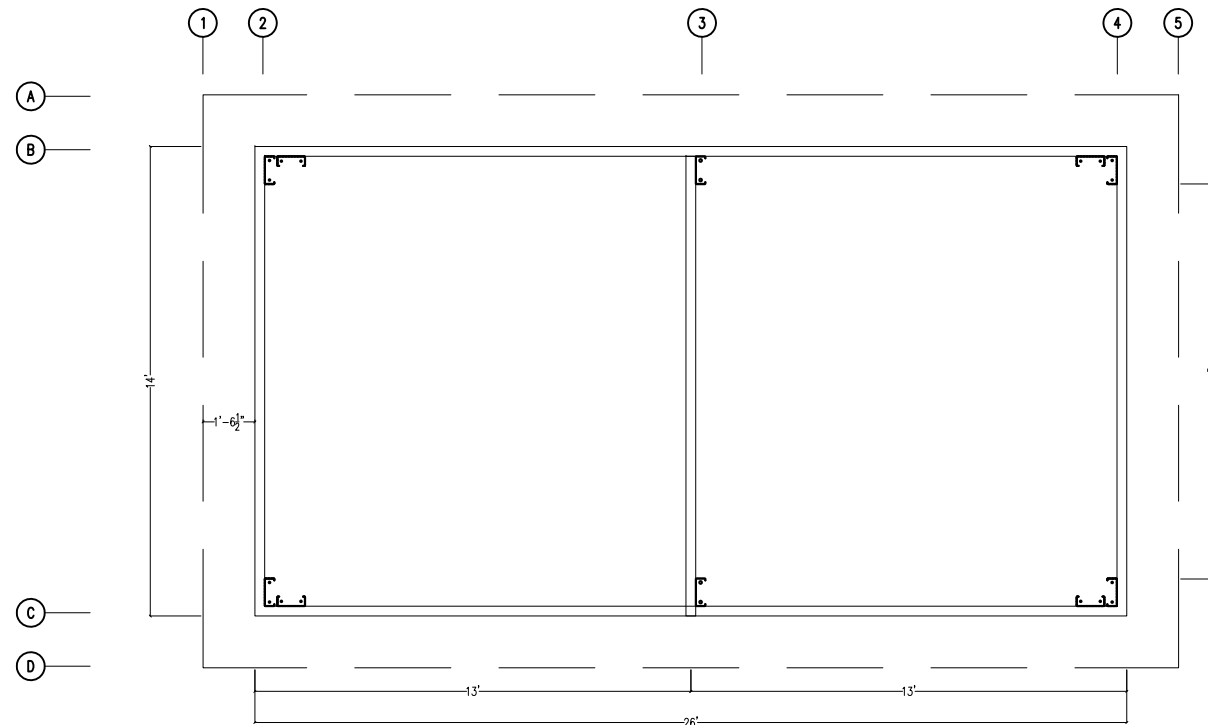


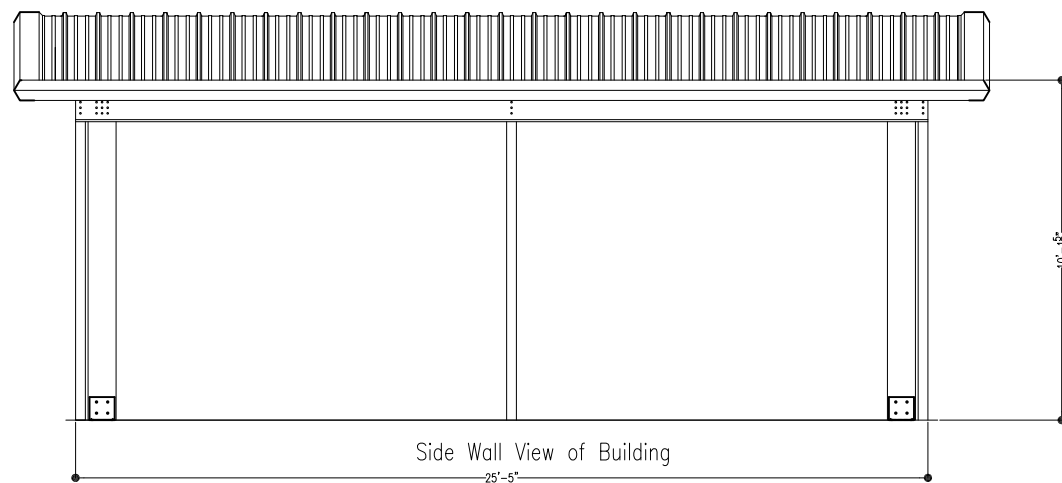
End View of Building @ Line 1,5



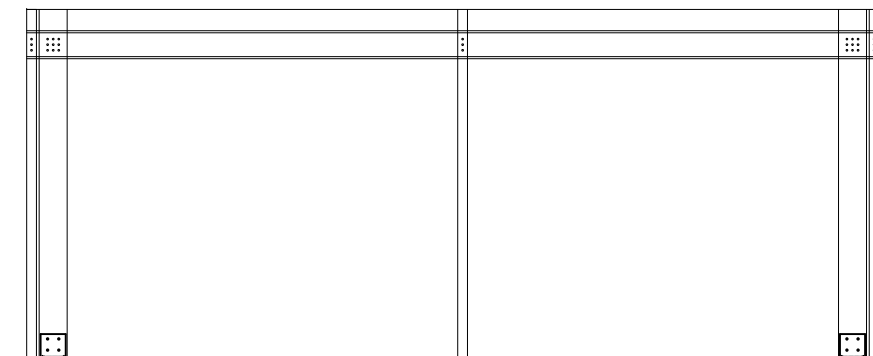
Cross Section @ Line 2,3,4 (Typ.)



Plan View of Building



Side Wall View of Building



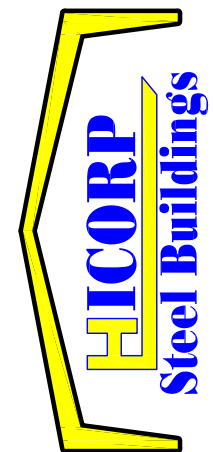
Cross Section @ Line B,C (Typ.)

Personnal RV Storage

Job Number	HICORP II
Page Number	1

Customer:	
Site Address:	

Scale:	
Date Drawn:	
Drawn By:	
Reviewed By:	
Rev. Date 1:	
Rev. Date 2:	
Rev. Date 3:	



A Division of
J.T.K. Enterprises, Inc.
This Drawing is the Property of J.T.K. Enterprises, Inc.
800-745-3406